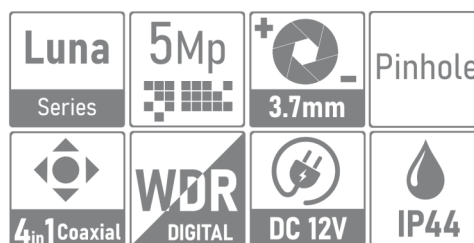


AESS-SMP500S

Hybrid Analog Camera Pinhole Fixed Lens 3,7mm 5MP



5MP - 1/2.8" HDIS CMOS
 5 Megapixel (2592x1944)
 4in1 AHD, HD-CVI, HD-TVI, CVBS (UTC)
 2.8mm pinhole Fixed Lens
 IP44
 DC12V



Panoramica

The LUNA series is the ideal choice for medium-large scale projects and activities that require high reliability and versatility. All products are designed to deliver the highest quality images full of detail and color. 2MP, 5MP and 8MP resolutions.

Funzioni

Digital Wide Dynamic Range

With the advanced Digital Wide Dynamic Range (DWDR) technology, the camera provides clear details in all those environments where the shooting scenes have brighter subjects and darker subjects. Thanks to the DWDR function, the images are shot with different exposure times depending on the lighter or darker parts which are then digitally combined to obtain perfect final images.

3D NR

3D NR is an innovative technology that enables the reduction of detected noise and eliminates random noise by comparing two sequential frames. This feature allows for significant noise reduction with little impact on sharpness, especially in low-light conditions.

OSD Multilingue - 4in1 Coaxial Control

The OSD menu offers the possibility to make various image adjustments and settings to meet the requirements of different installation needs. The OSD menu includes configurations such as backlight mode, day/night, white balance, "AHD/CVI/TVI/CVBS" video technology switch. The OSD menu of the camera can be accessed directly from the DVR using the UTC protocol. To be able to control the camera menu remotely, the DVR must support the UTC protocol.

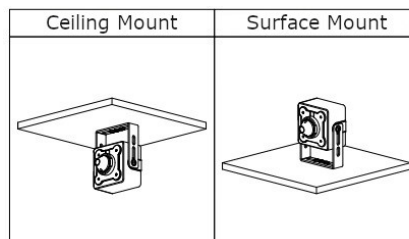
Protezione IP44

IP44: The splash proof protection value, suitable in the bathroom in the areas around the shower cubicle, sink or bathtub. The IP44 degree is also for luminaires placed in outdoor environments which remain covered, but in con-

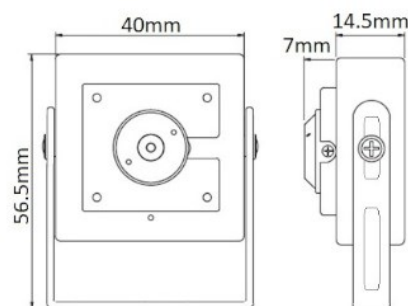
TECHNICAL SPECIFICATIONS

CAMERA	
Pixel	5 MP
Image Sensor	1/29" Sony Starvis
Max. Resolution	2592 (H) × 1944 (V)
Scanning System	Progressive
Electronic Shutter Speed	PAL: 1/3 s–1/100000 s NTSC: 1/4 s–1/100000 s
Min. Illumination	PAL: 1/3 s–1/100000 s NTSC: 1/4 s–1/100000 s
S/N Ratio	>65 Db
Illumination Distance	-
Illuminator On/Off Control	Auto/Manual
Illuminator Number	-
PTZ	-
LENS	
Lens Type	Fixed focal
Focal Length / Angle of View	3.7 mm / 82°
Iris Control	
VIDEO	
Video Frame Rate	20fps@5MP
Resolution	5 MP (2592x1944)
Day/Night	Auto
BLC	BLC / HLC / DWDR
WDR	DWDR
White Balance	Auto / Manual
Gain Control	AGC
Noise Reduction	3D
Illumination Mode	-
PORT	
Video Output	1-channel BNC CVI/TVI/AHD/CVBS by coaxial control
Audio Input	-
POWER	
Power Supply / Consumption	12 VDC ± 30% /
STRUCTURE	
Operating Temperature & Humidity	-40 °C to +60 °C / <95% (RH)
Protection	IP44
Casing Material	Metallo
Product Dimensions / Net Weight	56.5mm x 40mm x 21.5mm / 0.1 Kg

INSTALLATION MODE



TECHNICAL DRAWING



ACCESSORIES

ETP-15SF12H



ETB-VB03



ENVIO SECURITY SYSTEMS

DN2, E85, Km 150 + 300m,
Ramnicu Sarat,
Buzau, Zip code: 127480,
Romania