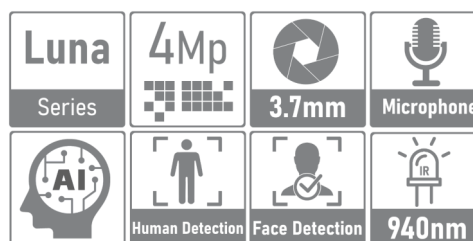


IESS-PIR400S-AP

Network Camera Fake PIR Fixed Lens 3.7mm 4MP



4MP 1/2.8" Cmos Sensor (2560x1440)
 ONVIF 16.12
 3.7 mm Fixed Lens
 Max distance IR Led 20m
 Human Recognition/Face Recognition/Video
 Analysis 48 IR Invisible Led 940nm
 IP20
 Built-in microphone
 PoE IEEE802.3af / DC12V



Functions

Digital Wide Dynamic Range

With the advanced Digital Wide Dynamic Range (DWDR) technology, the camera provides clear details in all those environments where the shooting scenes have brighter subjects and darker subjects. Thanks to the DWDR function, the images are shot with different exposure times depending on the lighter or darker parts which are then digitally combined to obtain perfect final images.

Smart H.265+ & Smart H.264+

With advanced scene-adaptive rate control algorithm, Envio smart encoding technology realizes the higher encoding efficiency than H.265 and H.264, provides high-quality video, and reduces the cost of storage and transmission.

Intelligent Video System (IVS)

IVS is an integrated video analytics algorithm that offers intelligent functions to monitor a scene for Tripwire violations, intrusion detection (Perimeter Protection) . A camera with IVS responds quickly and accurately to monitoring events in a specific area. In addition to scene analysis, the camera supports face detection. The camera also offers tampering detection by recognizing a dramatic scene change and generating an alert message to inspect the camera.

PoE technology

PoE is a technique that allows you to power IP cameras using the same cable that connects them to a local Ethernet network, provided it is of the twisted pair type, through the use of a POE network switch or a POE NVR. This technology is very useful when there are difficulties in finding electrical sources near the termination or even to reduce the number of elements and cables; for example, an IP camera can be powered directly from the ethernet network cable in Power over Ethernet, eliminating the power supply and its cable and making installation simpler and cleaner. The standard used by ENVIO cameras is IEEE 802.3af.

TECHNICAL SPECIFICATIONS

CAMERA

Image Sensor	1/2.8" Cmos Sensor
Max. Resolution	4 MP / 2560 (H) × 1440 (V)
Electronic Shutter Speed	1/50(1/60)s to 1/10.000s
Min. Illumination	0.001Lux@F1.2
Illumination	48 Invisible IR led (940nm) / 20 m
Illuminator On/Off Control	Auto/Manual
PTZ	-

LENS

Lens Type	Fixed focal
Focal Length/Angle of View	3.7 mm / 70°
Iris Control	-

VIDEO

Video Frame Rate	Main stream:2560*1440@18fps, 2304*1296@20fps, 1920*1080@25fps Sub-stream: 800*448@25fps
------------------	---

Smart Function	Human Recognition/Face Recognition/Video Analysis
----------------	---

Illumination Mode	IR Mode
-------------------	---------

Smart Codec	H.264 / H.265 / H.265+
-------------	------------------------

AUDIO

Built-in MIC	YES
--------------	-----

Two-way audio	-
---------------	---

Audio Compression	G.711
-------------------	-------

ALARM

Alarm	-
-------	---

NETWORK

Network Interface	1*RJ45 10/100M adaptive Ethernet port
-------------------	---------------------------------------

Protocol	IPv4, https, TCP/IP, FTP, NTP, RTSP, UDP, SMTP, DNS, DDNS
----------	---

ONVIF	Yes
-------	-----

P2P	XMEye - XMEye Pro
-----	-------------------

IE Browser	Edge, Chrome, Firefox
------------	-----------------------

WiFi/SD-Card	- / -
--------------	-------

POWER

Power Supply/Consumption	12V DC/PoE (802.3af) / < 5W
--------------------------	-----------------------------

STRUCTURE

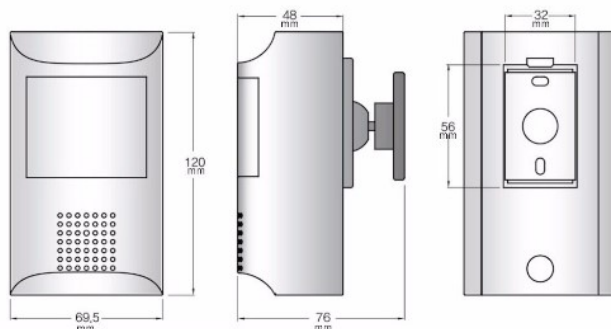
Material/Protection	Plastic / IP20
---------------------	----------------

Dimensions/Weight	120mm x 69.5mm x 76mm / 0.2 Kg
-------------------	--------------------------------

INSTALLATION MODE



TECHNICAL DRAWING



ACCESSORIES



ETP-15SF12H



ETJ-JB01



ETS-POE-4



ETS-POE-8



ETS-POE-16

ENVIO SECURITY SYSTEMS

DN2, E85, Km 150 + 300m,
Ramnicu Sarat,
Buzau, Zip code: 127480,
Romania