

IESS-PTZ308M

Network Speed Dome Camera 30X Optical Zoom 8MP ONVIF PoE Smart Functions



8MP 1/2.7" Cmos Sensor (3840x2160)
 ONVIF 16.12
 30x Optical Zoom
 Max distance IR Led More than 100m
 Human Detect / Vehicle Detect / Video Analysis
 6 High Power IR Led (4pcs Wide + 2 pcs for Tele)
 IP65
 Bidirectional Audio
 PoE IEEE802.3af/3at / DC12V



Functions

System Overview

The 8MP Network PTZ camera uses a 1/2.7" Black light illumination CMOS sensor with a 30x optical zoom lens, and provides an all in one solution for capturing long-distance video surveillance for outdoor applications. The camera uses the Smart H.265+ video compression standard to improve encoding efficiency while preserving high-quality video. The PTZ camera offers Analytics+ functions at the edge – performing complex perimeter protection with Smart Motion Detection to distinguish human and vehicle motion, significantly improving accuracy and reliability as compared to standard intelligent features.

PoE technology

PoE is a technique that allows you to power IP cameras using the same cable that connects them to a local Ethernet network, provided it is of the twisted pair type, through the use of a POE network switch or a POE NVR. This technology is very useful when there are difficulties in finding electrical sources near the termination or even to reduce the number of elements and cables; for example, an IP camera can be powered directly from the ethernet network cable in Power over Ethernet, eliminating the power supply and its cable and making installation simpler and cleaner. The standard used by ENVIO cameras is IEEE 802.3af.

Perimeter Protection

Envio Analytics+ includes Tripwire and Intrusion functions that offer custom tripwires based on object type for automation in limited access areas. Perimeter Protection requires less pixels to detect an object to deliver improved accuracy and decreased false alarms due to lights, weather, trees, or animals.

Smart Motion Detection

Smart Motion Detection, a component of Envio's Analytics+ technology, improves alarm accuracy and decreases the number of false alarms. The advanced algorithm analyzes a scene for human or vehicle motion, while filtering out other motion due to trees, leaves, animals, weather, and triggers an alarm when detected. SMD also saves time when searching recorded video by filtering false alarms and allowing quick retrieval of an alarm due to a person or vehicle.

Interoperability

The camera conforms to the ONVIF (Open Network Video Interface Forum) and to the PSIA (Physical Security Interoperability Alliance) specifications, ensuring interoperability between network video products regardless of manufacturer.

Protection IP65

IP65: the camera has a waterproof degree which guarantees total protection against the penetration of solid bodies, the penetration of liquids by drops, vapours, sprays and jets of water in any direction.

TECHNICAL SPECIFICATIONS

CAMERA	
Image Sensor	1/2.7" Black light illumination CMOS sensor
Max. Resolution	8 MP / 3840 (H) × 2160 (V)
Electronic Shutter Speed	1/50(1/60)s to 1/10.000s
Min. Illumination	color 0.0001Lux@F1.2, black/white 0.0001Lux@F1.2
Illumination	6 High Power IR Led (4pcs Wide + 2 pcs for Tele)
IR Distance	More than 100m
Illuminator On/Off Control	Auto/Manual
PTZ	-

LENS	
Lens Type	Motorized Varifocal
Focal Length/Angle of View	4.7mm-94mm (30X Optical zoom) / 68,5°-4,2°
Focus Control	Automatic

VIDEO	
Video Frame Rate	Main stream: 8MP 3840*2160@15fps; 5MP 2880*1616@25fps 4MP 560*1440@25fps 2MP 1920*1080@25fps; Sub-stream: 800*448@25fps;
Smart Function	Human Detect/Vehicle Detect/Video Analysis (Tri Wire, Intrusion area)
Smart Codec	H.265AI/H.265+(Compatible with H.265/H.264)
Noise Reduction	2D/3D
White Balance	Auto / Manual





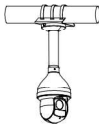

AUDIO	
Audio	Bidirectional / G.711 (compression)

NETWORK	
Network Interface	1*RJ45 10/100M adaptive Ethernet port
Protocol	RTSP/FTP/DHCP/NTP/UPnP
ONVIF	16.2
P2P	XMEYE/XMEYE PRO (iOS,Android)
IE Browser	Edge, Chrome, Firefox, etc.
WiFi/SD-Card	- / -

POWER	
Power Supply/Consumption	12V DC ±30% / POE IEEE802.3af/3at 10W (Leds on and rotation)

STRUCTURE	
Material/Protection	Metal / IP65
Dimensions/Weight	222mm x 136mm / 1.9 kg

INSTALLATION MODE

Wall Mount	Ceiling Mount 1	Ceiling Mount 2
		
Pole Mount (Vertical)	Pole Mount (Horizontal)	Corner Mount
		

ACCESSORIES



ETP-PA40



CHC-W



BD-LP09



BD-780



ETS-POE-4

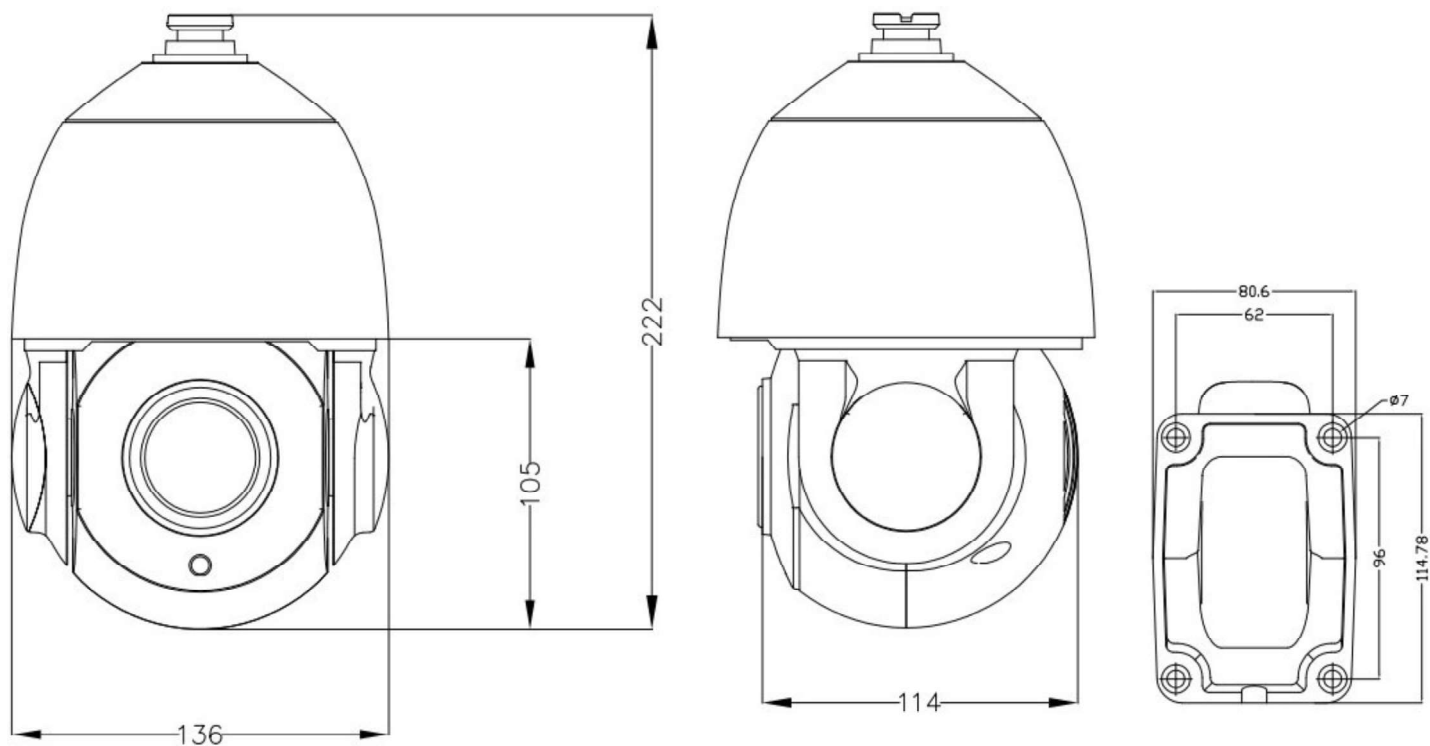


ETS-POE-8



ETS-POE-16

TECHNICAL DRAWING



ENVIO SECURITY SYSTEMS
DN2, E85, Km 150 + 300m,
Ramnicu Sarat,
Buzau, Zip code: 127480,
Romania