

IESS-BMM110SI800-PRO

Network Camera Bullet Motozoom Lens 2.8-12mm 8MP Sony Starvis 100M

PRO SERIES

SONY
IMX415 **STARVIS**



8MP 1/2.8" Sony Starvis IMX415 Sensor
(3840x2160) ONVIF 16.12
2.8-12 mm Motozoom Lens
Max distance Led 100m
Human /Face/Vehicle Recognition/Video Analysis
4 High Power Array IR Led
IP65
Built-in microphone
PoE IEEE802.3af / 3.at/ DC12V



Functions

Sony Starvis Sensor

The IMX415 is a diagonal 6.4 mm (Type 1/2.8) CMOS active pixel type solid-state image sensor with a square pixel array and 8.46 MP effective pixels. High sensitivity, low dark current and no smear are achieved through the adoption of R, G and B primary color mosaic filters. This chip features an electronic shutter with variable charge-integration time. The STARVIS is back-illuminated pixel technology used in CMOS image sensors for security camera applications. It features a high sensitivity and realizes high picture quality in the visible light and near infrared light regions.

Smart H.265+ & Smart H.264+

With advanced scene-adaptive rate control algorithm, Envio smart encoding technology realizes the higher encoding efficiency than H.265 and H.264, provides high-quality video, and reduces the cost of storage and transmission.

Intelligent Video System (IVS)

IVS is a built-in video analysis algorithm that offers functions smart to monitor a scene for Trip violations wire, intrusion detection (Perimeter Security). A camera with IVS responds quickly and accurately to monitoring events in a specific area. In addition to scene analysis, the camera supports scene detection faces and human recognition. The camera also offers tamper detection by recognizing a dramatic scene change and generating a warning message to inspect the camera.

PoE technology

PoE is a technique that allows you to power IP cameras using the same cable that connects them to a local Ethernet network, provided it is of the twisted pair type, through the use of a POE network switch or a POE NVR. This technology is very useful when there are difficulties in finding electrical sources near the termination or even to reduce the number of elements and cables; for example, an IP camera can be powered directly from the ethernet network cable in Power over Ethernet, eliminating the power supply and its cable and making installation simpler and cleaner. The standard used by ENVIO cameras is IEEE 802.3af.

Smart Dual Illuminators

Envio Smart Dual Illuminators technology adopts smart algorithm to detect targets. Usually, the IR illuminator is on at night; when the target appears in the monitoring area, the white light is on, and the camera records the full-color video and information of key events. That is, the camera links snapshot and video with full-color image. When the target is out of the monitoring area, the white light is off and the IR illuminator is on.

Protection IP65

IP65: the camera has a waterproof degree which guarantees total protection against the penetration of solid bodies, the penetration of liquids by drops, vapours, sprays and jets of water in any direction.

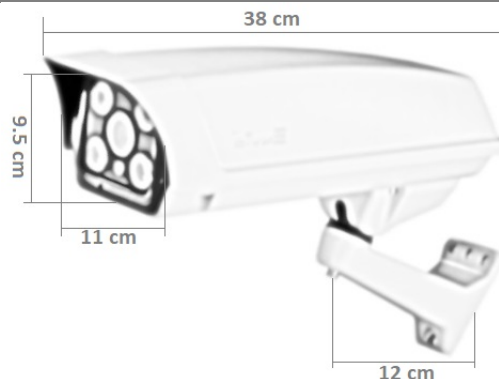
TECHNICAL SPECIFICATIONS

CAMERA	
Image Sensor	1/2.8" Sony Starvis IMX415 Cmos Sensor
Max. Resolution	8 MP / 3840 (H) × 2160 (V)
Electronic Shutter Speed	1/50(1/60)s to 1/10.000s
Min. Illumination	0.0001Lux@F1.2
Illumination	4 High Power Array IR Led 100 m
Illuminator On/Off Control	Auto/Manual
PTZ	-
LENS	
Lens Type	Motozoom Varifocal
Focal Length/Angle of View	2.8 mm - 12 mm / 95° - 25°
Iris Control	Auto
VIDEO	
Video Frame Rate	Main stream: 8MP@17fps, 5MP@25fps, 4MP@25fps, 3MP@25fps, 2MP@25fps Sub-stream: D1@25fps, HD1@25fps, CIF@25fps, QVGA@25fps
Smart Function	Human/Face/Vehicle Detection, Video Analysis
Illumination Mode	IR Mode
Smart Codec	H.265 / H.265AI / H.265X (H.264 compatible)
AUDIO	
Built-in MIC	YES
Two-way audio	-
Audio Compression	G.711
ALARM	
Alarm	-
NETWORK	
Network Interface	1*RJ45 10/100M adaptive Ethernet port
Protocol	IPv4, http, https, TCP/IP, FTP, NTP, RTSP, UDP, SMTP, DNS, DDNS, DHCP, UPnP
ONVIF	Yes
P2P	XMEye - XMEye Pro
IE Browser	Edge, Chrome, Firefox, etc
WiFi/SD-Card	- / -
POWER	
Power Supply/Consumption	12V DC/PoE (802.3af/.3at / >6W)
STRUCTURE	
Material/Protection	Metal / IP65
Dimensions/Weight	380mm x 95mm x 110mm / 1,5 kg

INSTALLATION MODE



TECHNICAL DRAWING



ACCESSORIES



ETP-15SF12H



ETS-POE4



ETS-POE8



ETS-POE16

ENVIO SECURITY SYSTEMS

DN2, E85, Km 150 + 300m,
Ramnicu Sarat,
Buzau, Zip code: 127480,
Romania